



**CMS UK**

Rural, Business and Renewable Energy Consultants

P/2011/00299

East Staffordshire Borough Council,  
The Planning Department,  
Town Hall,  
King Edward Place,  
Burton upon Trent,  
Staffordshire,  
DE14 2EB.

P/11/00299

14<sup>th</sup> March 2011

Our Ref: cmss: clients: Brookes/Nothill/WT/HT

Dear Sirs,

**Proposed 55kW Wind Turbine on the Land of Nothill Farm, Crakemarsh,  
Uttoxeter, Staffordshire, ST14 5AT**

**Request for Screening Opinion under section 5(2) of the Town and Country  
Planning (Environmental Impact Assessment) (Amendment) (England)  
Regulations 1999.**

Please find enclosed the relevant documents for a pre-application screening  
opinion under the above regulations.

In line with similar applications CMS UK do not believe that the proposal will  
require an EIA.

Should you require any further information, please do not hesitate to contact me  
on 01270 522645.

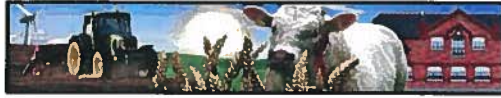
Yours Sincerely,

Hannah Twells  
CMS UK

CORPORATE SERVICES

15 MAR 2011

21390



**CMS UK**

Rural, Business and Renewable Energy Consultants

# PRE-APPLICATION SCREENING REQUEST

---

- Under section 5(2) of The Town and Country Planning (Environmental Impact Assessment) (Amendment) (England) Regulations 1999-

**The Project:** Endurance 55kw wind Turbine to be installed on the land at:

Nothill Farm,  
Crakemarth,  
Uttoxeter,  
Staffordshire,  
ST14 5AT

P/11/00299

**Statement Prepared by:**

H Twells  
CMS UK  
Spring Farm Business Centre  
Moss Lane  
Minshull Vernon  
Crewe  
Cheshire  
CW1 4RJ

Tel: 01270 522645

Fax: 01270 522119

Date: March 2011

This report has been written to address what is categorised under Schedule 3 of the Town and Country Planning (Environmental Impact Assessment) (Amendment) (England) Regulations 1999.

## **CONTENTS**

Instructions to the Local Planning Authority.....	3
1. Introduction .....	3
2. Project Characteristics.....	4
2.1 Size and Scale .....	4
2.1.1 Scale of construction works .....	4
2.2 Appearance.....	4
2.2 Cumulative Effect .....	5
2.3 Pollution and Waste .....	5
3. Location of the Development.....	6
3.1 Existing land use .....	6
3.2 Landscape Character .....	6
3.3 Landscape Designations .....	6
4. Conclusion .....	7

---

## INSTRUCTIONS TO THE LOCAL PLANNING AUTHORITY

---

After pre-application consultation advice and in line with the requirements of the new legislation, CMS UK is seeking a screening opinion under section 5(2) of the EIA regulations referred to above.

---

### 1. INTRODUCTION

---

CMS UK - Rural, Business and Renewable Energy Consultants with a nation wide customer base, have been asked to prepare a planning application for the proposed wind turbine at Nothill Farm.

The reasons for this development proposal are as follows:

- 1) **Rising cost of energy** being a huge burden on the business.
- 2) **Secure future employment** on the farm through **reducing energy bills**.
- 3) Reduce farms dependency on Fossil Fuels.
- 4) Form of farm **diversification** and to counteract the rising costs of electricity.
- 5) Increased awareness of **climate change** and the needed response to this matter
- 6) **The Kyoto Protocol 1997** – the UK is committed to reducing its green house gas (GHG) emissions by 12.5% between 2008 and 2012 (against a 1990 baseline figure).
- 7) Farming has been targeted as both part of the problem and solution of GHG emissions as it produces about 8% of the emissions in the UK, increased pressure from the government for farmers to reduce their **carbon footprint**.
- 8) Increased pressure from EU budget review and the EU Commissioners reporting that the **CAP reform 2013** will bring about a change to the CAP criteria, and changing the payments to reflect the CAP objectives - climate change and eco-services.

In line with similar schemes and previous EIA screening dealt with by CMS UK, the scale, appearance and location of the proposed wind turbine are such that CMS UK does not believe that the proposal will require an EIA.

CMS UK would like to make the planning authority aware that one of the main benefits of wind turbines is that they have little environmental impact. They are not a permanent structure in the same sense as a building for example. Once the turbine ceases to produce electricity it can be removed and the land can, if required, be returned to its former condition.

---

## 2. PROJECT CHARACTERISTICS

---

It is proposed to install a single Endurance wind turbine on the land at Nothill Farm, Crakemarsh, Uttoxeter, Staffordshire, ST14 5AT. Grid reference: SK 0750337735

Installing a single wind turbine at Nothill Farm is considered the best option for renewable energy production, a primary reason being that the site has a very good wind speed. The Department of Energy and Climate Change wind speed figure for this site at 25m above ground is 5.7m/s a "good/excellent" wind speed for the proposed wind turbine. An anemometer has been on site for two weeks, at the time of writing this report. The current reading is 3.5m/s (average). It must be noted that this is at a height on 15m. This anemometer will remain on site until the installation of the wind turbine.

The wind turbine is proposed to be a height of 36m therefore the wind speed will increase at this height.

### 2.1 SIZE AND SCALE

The proposed wind turbine has a hub height of 36m, with three blades measuring a radius of 9.6m. The final base of the turbine will only occupy an area of less than 4m by 4m.

#### 2.1.1 SCALE OF CONSTRUCTION WORKS

The application area that will be disturbed during construction of the base and tower will be less than 0.065 Ha (0.16 acres). On completion of construction any disturbed area will be reinstated to full agricultural use.

The green dotted line on the location plan (appendix 1) indicates the access route for delivery of the turbines, towers and foundations. As shown the access from public highway will be through the farm buildings, along an existing track into the field. Conditions and routes across the field suitable for heavy equipment are well understood. As the access is steep and to prevent damage to the field the applicant is to proposing to lay a hard-core track into the field to the wind turbine site, which will later be used as a cow track.

It should be noted that there is no requirement for a regular vehicle access to the turbine site other than for delivery and installation of the foundations and the wind turbine itself.

The installation will not take place until site conditions make it easy to use this route across the field.

### 2.2 APPEARANCE

The Endurance 55kW wind turbine is a tubular steel tower painted white and fully protected against corrosion. The wind turbine is unique in design, and has a smooth appearance. The Appendices attached shows the elevations of the wind turbine.

## **2.2 CUMULATIVE EFFECT**

**Paragraph 21 of PPS22** refers to the need to take account of the cumulative effect of any wind generation project.

Cumulative Effect:

*“The impact in which a series of wind turbines have an effect greater than the sum of their individual effects, when the relationship between the two can be expressed in linear form”.*

There are no other existing wind turbines in this area that would cause concern for cumulative impact. No other turbines are visible from the site, or from prominent long distance views towards the site.

## **2.3 POLLUTION AND WASTE**

There is no known pollution generated from the operation of a wind turbine. Wind Turbine foundation soil displacement will be levelled within the field boundary and cultivated as part of the field. The design of the foundations minimises the amount of excavation and concrete required for the base.

---

### 3. LOCATION OF THE DEVELOPMENT

---

The exact location of the turbine is shown in the site map, attached to this document as Appendix 1. The wind turbine is approximately 355 meters from the connection point, creating fewer disturbances to install the cabling. The turbine is well away from any public road.

#### 3.1 EXISTING LAND USE

The applicant owns and occupies the land under and surrounding the proposed turbine (shown in Appendix 1). The land is intensively farmed, and is currently sown as a grass ley. Once the turbine has been constructed any disturbed area will be returned to full agricultural use.

#### 3.2 LANDSCAPE CHARACTER

Key Points:

- 1) On appearance the land appears to be gently undulating farmland with dispersed pattern of farmsteads, villages and commercial development. The agricultural landscape is arable/pasture which has been intensively farmed for years. The fields are enclosed, bounded by in most cases Staffordshire hedges or fencing. However;
- 2) The agricultural character of the area is being affected greatly by residential development and urban sprawl.
- 3) Busy roads now dominate the landscape, such as the A50 to the south of the proposed wind turbine site
- 4) Nothill Farm is hidden from view due to the topography and natural screening. The only view of the farm is a window to the north.
- 5) Electricity pylons and telegraph poles spread out across the landscape, puncturing the skyline.

All these characteristics of the landscape make the area less sensitive to the instillation of a single wind turbine; as such development is mitigated by what already exists in the landscape.

#### 3.3 LANDSCAPE DESIGNATIONS

The proposed location is not in an AONB, SSSI, National Nature Reserve, Special Protection Area, Special Area of Conservation, or near to any scheduled monuments. There no wetland habitats in the near vicinity of the proposed turbine location.

A Phase One habitat Survey has been carried out by Staffordshire Ecological Records Centre (Staffordshire Wildlife Trust) on 8<sup>th</sup> March 2011 on a 1 kilometre radius application site. The survey showed that the site the does not benefit from any special designations with regard to protected species or site special scientific interest.

CMS UK has chosen this specific location through following expertise guidelines set out by Natural England. Because of this careful consideration it is felt that the wind turbine will have no negative impact on any wildlife.

---

## 4. CONCLUSION

---

CMS UK concludes that an EIA for this development would not be necessary. Firstly the proposal is for a small development - a single wind turbine where little disturbance for construction work is needed.

There will be no cumulative effect with other wind turbines. Taking into consideration other developments in the area, commercial development, the large electricity masts and pylons, and the residential development, any potential impact which the wind turbine would cause is mitigated by all of these elements which currently exist on in the landscape.

The development causes no waste, pollution or hazardous substances. It is a "clean" development which is benefiting the environment through producing renewable electricity by using a natural resource – wind.

The existence of a single wind turbine will have little impact on biodiversity or wildlife. The Phase one habitat survey shows that the site the does *not* benefit from any special designations with regard to protected species or site special scientific interest. The turbine is at a height that wildlife on the ground will not be affected.

CMS UK request confirmation that an EIA will not be required. Should you require any further information, please do not hesitate to contact me on the details on the covering page of this document.



## **APPENDICIES**

**Appendix 1**            - LOCATION PLAN

**Appendix 2**            - ELEVATION DRAWINGS

**Town and Country Planning (Environmental Impact Assessment)  
(England and Wales) Regulations 1999**

**Request for a "Screening Opinion" in respect of the following  
development:**

**Proposed Development:**

**Installation of a Wind Turbine  
Nothill Farm, Hook Lane, Crakemarsh, Staffordshire, ST14 5AT**

**Introduction:**

The Council has been requested to adopt a screening opinion as to whether the above development is EIA development requiring the submission of an Environmental Statement.

**Schedule 1:**

No

**Schedule 2:**

Yes

The development proposed does not fall within Schedule 1 of the Regulations where an assessment is mandatory. However, the development falls within Schedule 2, Category 3 (b) as an installation for the harnessing of wind power for energy production. The proposal equals the 2 or more wind turbine threshold, and the 15 metre turbine height threshold laid down by the above regulations beyond which an Environmental Statement may be required.

**Circular 2/99:**

In respect of Schedule 2 development, an assessment will only be required if the development is likely to have significant effects on the environment by virtue of factors such as its nature, size or location.

Paragraph 33 of Circular 02/99 indicates that the Secretary of State's view is that, in general, EIA will be needed for Schedule 2 developments in three main types of case:

- a. for major developments which are of more than local importance (e.g. wide ranging environmental effects);
- b. for developments which are proposed for particularly environmentally sensitive or vulnerable locations (paragraphs 36-40); and
- c. for developments with unusually complex and potentially hazardous environmental effects.

Circular 02/99 Annex A comments on indicative thresholds and criteria for identifying Schedule 2 development requiring an Environmental Statement:

## Wind Farms

**A14.** The likelihood of significant effects will generally depend upon the scale of the development, and its visual impact, as well as potential noise impacts. EIA is more likely to be required for commercial developments of five or more turbines, or more than 5MW of new generating capacity.

### Assessment:

In assessing the proposal in the context of the above, the Council's view is that it is not a major development of more than local importance. The proposed turbine is relatively small, having a hub height of 35.4 metres and a tip height of 46 metres. The proposed turbine has a relatively small generating capacity and would not contribute significantly to the National Grid.

The area immediately surrounding the site is relatively sparsely populated, and as such it is not considered that the proposal will result in significant noise impacts.

The site falls outside the definition of a "sensitive area" as set out by Regulation 2(1) of the Town and Country Planning (Environmental Impact Assessment)(England and Wales) Regulations 1999.

Taking the above into account, it is considered that the proposal is of local importance only and is unlikely to generate complex or unusually hazardous environmental effects.

Paragraph A14 of Circular 02/99 Annex A states that "EIA is more likely to be required for commercial developments of five or more turbines, or more than 5MW of new generating capacity". The proposal involves the installation of a single turbine with a generating capacity of 225KW. The proposal is therefore significantly below the threshold above which Circular 02/99 suggests an Environmental statement is more likely to be required.

In conclusion, the proposed development is not of more than local importance, does not affect a sensitive area and would not involve unusually complex or hazardous environmental effects. Having considered the proposal against the provisions of the Town and Country Planning (Environmental Impact Assessment)(England and Wales) Regulations 1999 and Circular 02/1999, it is ~~not~~ considered that an Environmental Statement will be required in this instance.

The proposal will not result in any significant effects on the environment and therefore

## **Wind Farms**

**A14.** The likelihood of significant effects will generally depend upon the scale of the development, and its visual impact, as well as potential noise impacts. EIA is more likely to be required for commercial developments of five or more turbines, or more than 5MW of new generating capacity.

### **Assessment:**

In assessing the proposal in the context of the above, the Council's view is that it is not a major development of more than local importance. The proposed turbine is relatively small, having a hub height of 35.4 metres and a tip height of 46 metres. The proposed turbine has a relatively small generating capacity and would not contribute significantly to the National Grid.

The area immediately surrounding the site is relatively sparsely populated, and as such it is not considered that the proposal will result in significant noise impacts.

The site falls outside the definition of a "sensitive area" as set out by Regulation 2(1) of the Town and Country Planning (Environmental Impact Assessment)(England and Wales) Regulations 1999.

Taking the above into account, it is considered that the proposal is of local importance only and is unlikely to generate complex or unusually hazardous environmental effects.

Paragraph A14 of Circular 02/99 Annex A states that "EIA is more likely to be required for commercial developments of five or more turbines, or more than 5MW of new generating capacity". The proposal involves the installation of a single turbine with a generating capacity of 225KW. The proposal is therefore significantly below the threshold above which Circular 02/99 suggests an Environmental statement is more likely to be required.

In conclusion, the proposed development is not of more than local importance, does not affect a sensitive area and would not involve unusually complex or hazardous environmental effects. Having considered the proposal against the provisions of the Town and Country Planning (Environmental Impact Assessment)(England and Wales) Regulations 1999 and Circular 02/1999, it is considered that the proposal will not result in any significant effects on the environment and therefore an Environmental Statement will not be required in this instance.

**Recommendation:**

**A formal screening opinion be adopted that Environmental Assessment will not be required**

**Team Leader/Chief Planning Officer comments:**

**The following decision is made by the undersigned in accordance with powers delegated to the undersigned under the provision of S101 of the Local Government Act 1972.**

**DELETE AS NECESSARY**

**A formal Environmental Statement is required in respect of the development as proposed.**

**TL/CPO Signature . , .. Date ~~15th April 2011~~ .....**

**A formal Environmental Statement is not required in respect of the development as proposed.**

**TL/CPO Signature ... .. Date 15th April 2011 .....**

**Philip Somerfield B.A. Dip T.P., D.M.S. M.R.T.P.I**  
**Head of Regulatory Services**

Date: 5<sup>th</sup> April 2011

Ms H Twells  
CMS UK Head Office  
The Old Dairy  
Spring Farm Business Centre  
Moss Lane  
Minshull Vernon  
Crewe  
Cheshire  
CW1 4RJ

**Direct Line:** (01283) 508641  
**Direct Fax:** (01283) 508388  
**Reply to:** Jim Malkin  
**Our Ref:** P/2011/00299/JPM  
**Your Ref:** cmss

*(please quote this reference on all correspondence with us)*

Dear Madam,

**Re: Screening Opinion in relation to a 55kw wind turbine at Nothill Farm, Crakemarsh, Uttoxeter, Staffs**

I refer to your request of the 23<sup>rd</sup> February 2011 for a formal 'screening opinion' in respect of the above proposal.

I can confirm that the Council has considered the submitted information and have concluded that this development does not constitute EIA development, and therefore a formal Environmental Impact Assessment will not be required.

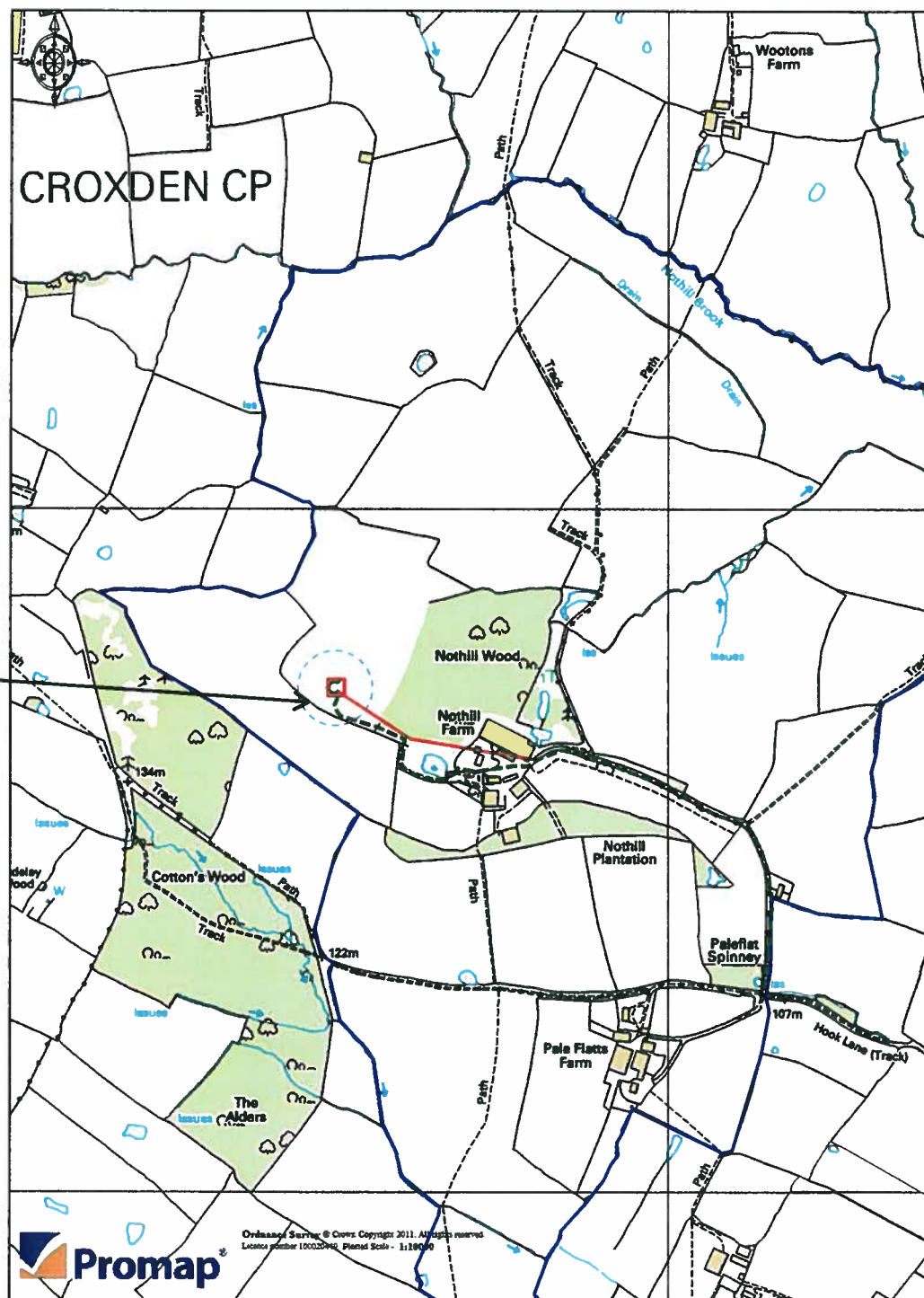
Yours faithfully,

Jim Malkin  
Planner Enforcement  
[james.malkin@eaststaffsbc.gov.uk](mailto:james.malkin@eaststaffsbc.gov.uk)



**CMS UK**

Rural, Business and Renewable Energy Consultants



**Proposed Wind Turbine Location**

**KEY:-**

- Tower
- Area blades cover tracking into wind
- Indicative Application Area
- Recommended distance from hedgerow – Bats protection. (55m)
- Proposed Access Route
- Cable Route

P/11/00299

**CLIENT**  
WG GH & M Brookes

**AGENT**  
CMS UK

**TITLE**  
Proposed:-  
Location Plan

**PROJECT**  
Installation of a 55kW Endurance single wind turbine at Nothill Farm, Crakemarsh, Staffordshire, ST14 5AT. Hub height 36m.

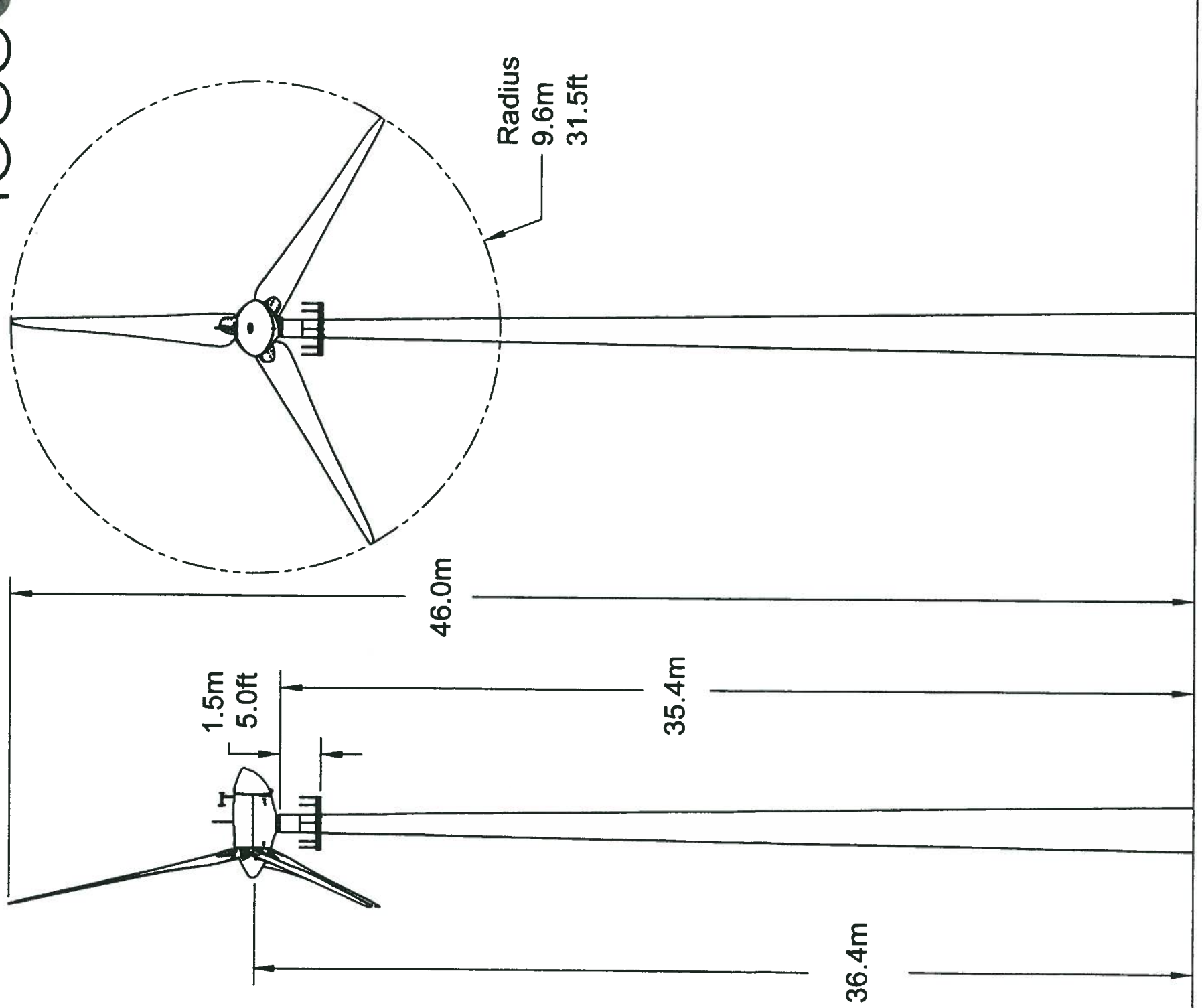
**PLANNING ISSUE**

<b>SCALE:</b> 1:10000	Date:	Drawing No: 1.0
	March 2011	
<b>Print:-</b>		WBRO – 1.0

**LOCATION PLAN 1:10000**



# lessCO<sub>2</sub>



www.less-co2.co.uk

P/11/00299

Flange Elevation		Hub Elevation		Max Blade Elevation		Notes
ft	m	ft	m	ft	m	
77.4	23.6	80.7	24.6	112.2	34.2	EU Countries Only
97.1	29.6	100.4	30.6	131.9	40.2	North America Only
116.1	35.4	119.4	36.4	150.9	46.0	North America Only
135.8	41.4	139.1	42.4	170.6	52.0	North America Only

**Note:** Dimensions approximate and provided for planning purposes only. Final construction elevations are available in a permitting package on a per-tower basis.

**Endurance**  
WIND power

E-3120 36m Scaled  
Elevation

SIZE	DWG. NO.	REV
A	E-3120 - 50 kW Monopole	A