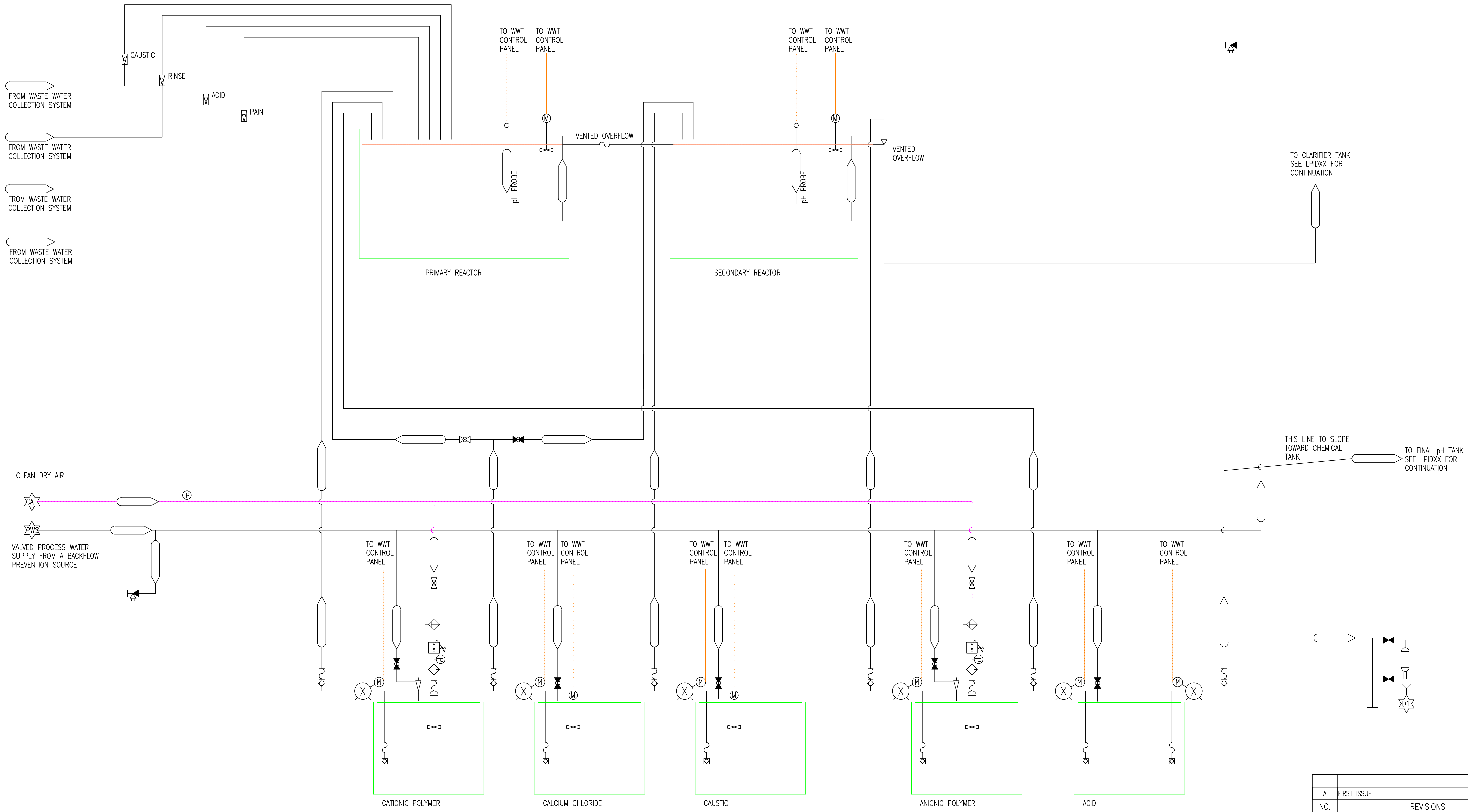


IF IN DOUBT ASK



TREATMENT MODULE

- NOTES:
1. SEE SHEET LPID01 FOR SYMBOL LEGEND SHEET
  2. SEE SHEET LPIDXX FOR WASTE TRANSFER SYSTEM
  3. SEE SHEET LPIDXX FOR WASTE THICKENER/CLARIFIER SYSTEM
  4. DESIGNATES COMPRESSED AIR SUPPLY CONNECTION BY CUSTOMER
  5. DESIGNATES PROCESS WATER SUPPLY CONNECTION BY CUSTOMER
  6. DESIGNATES DRAIN TRENCH TERMINATION
  7. ALL ELECTRICAL DEVICES TO BE WIRED TO WWT CONTROL PANEL BY GKS WIRING CONTRACTOR. SEE SHEET LPIDXX FOR ADDITIONAL INFORMATION
  8. ALL SPECIALTY ITEMS SHOWN OUTSIDE TREATMENT MODULE FOR PIPING TO BE PROVIDED BY GKS UNLESS NOTED OTHERWISE. PIPE AND FITTINGS OUTSIDE TREATMENT MODULE TO BE PROVIDED BY GKS PIPING CONTRACTOR.

4 January 2019  
**REFERENCE**  
 John McDonnell 15:51

A	FIRST ISSUE	02.01.2019
NO.	REVISIONS	DATE

This drawing and its designs are part of the intellectual property of GEORGE KOCH SONS EUROPE LTD. and may not be copied or used without the written permission of GEORGE KOCH SONS EUROPE LTD. This drawing, its designs and any information hereon may not be disclosed to any third party without the written permission of GEORGE KOCH SONS EUROPE LTD.

**George Koch Sons Europe LTD**  
*A smarter solution. Worldwide.*  
 City House - City Wharf - Davidson Road - Lichfield - Staffordshire - WS14 9DZ  
 Tel : 01543 444001 email : office@kocheurope.com

JOB	TYPICAL WWT P&ID TREATMENT MODULE	
	PRE-TREATMENT & ELECTRO-COAT LINE	
FOR	JCB CABS	
Drawn by	JMM	Scale NTS
Checked by		Date 02.01.19
Drawing No.	J00270-32-012A	A0